

Industrial Shredder – DUAL-SHEAR® M45

BRAND



DUAL SHEAR® M45 is a low-speed, high-torque, two-shaft, rotary shear shredder designed to efficiently process a variety of difficult materials.

PROCESS MATERIALS INCLUDING:

It can process up to 500 kg. / hour

- Mixed Waste
- Wood
- Plastics
- Medical Waste
- Paper / Cardboard
- Document Destruction
- Pharmaceuticals
- Product Destruction
- Organic Waste
- Glass
- Light Electronic Scrap
- Light Gauge Metals and more...



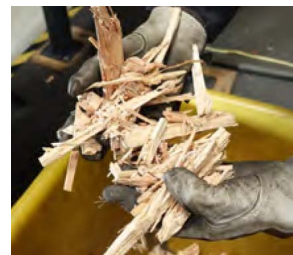
It can process up to 500 kg. / hour

CARACTERISTICS

- Proprietary bearing and seal arrangements at shredder gearbox and endplate.
- CNC machined shredder frame, torsion box design, modular construction.
- Small footprint.
- Low power requirements.
- “Floating” cleaning fingers inside shredder minimize the possibility for material buildup.

ADVANTAGES

- **HIGH-TORQUE, LOW-SPEED DESIGN**
Delivers multipurpose shredding with greater on-line reliability and lower maintenance requirements than other technologies.
- **AUTO REVERSAL FEATURE**
Protects against overfeeding and damage by nonshreddable materials.
- **PROPRIETARY BEARING PROTECTION**
Isolates bearings from cutting chamber contamination and protects against bearing failure.
- **DIRECT DRIVE MOTOR**
Provides improved efficiency and reliability. Alternate speed and torque combinations available.



Cont. on page 2

Please, contact us if you need more information or a detailed quote.

February 2018



STANDARD CUTTING CHAMBER

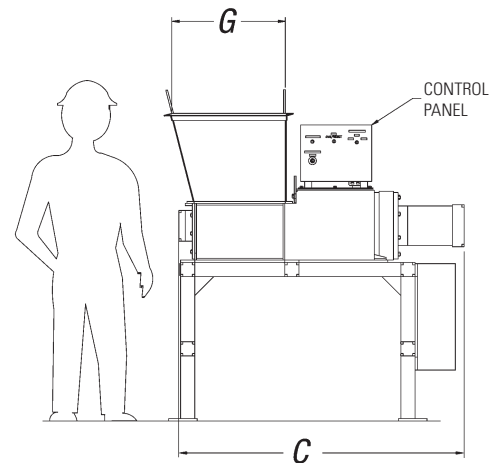
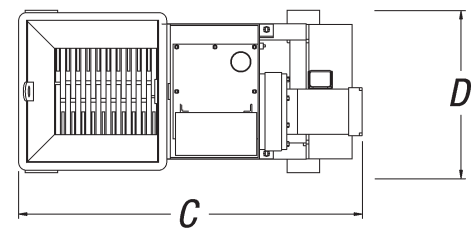
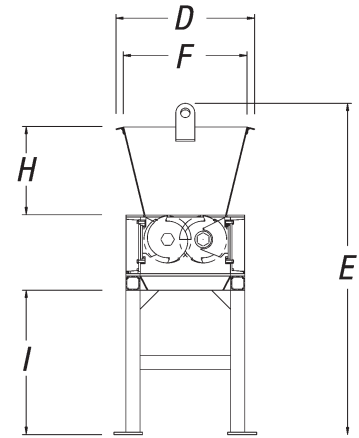
(W x L): 485 mm x 485 mm (19 in x 19 in)

Optional lengths not available.

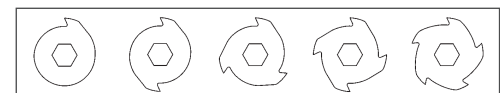
| SPECIFICATIONS | DUAL-SHEAR® M45 |
|----------------------------|---------------------------------|
| Drive | Electric |
| Number of Electric Motors | One |
| Power | 7.5 kW (10 HP) |
| Voltage | 460/3/60 |
| Voltage Options | Many - Consult Factory |
| Shock Load Protection | Amperage overload reversals |
| Cutter Thickness (nominal) | 25 mm (1 in) |
| Cutter Diameter | 254 mm (10 in) |
| Shaft Diameter 7 | 0 mm (2.8 in) |
| Cutting Chamber (W x L) | 485 mm x 485 mm (19 in x 19 in) |
| Machine Length (C) | 1,615 mm (64 in) |
| Machine Width (D) | 745 mm (29 in) |
| Machine Height (E) | 2,223 mm (87.5 in) |
| Machine Weight | 800 kg (1,700 lbs) |
| Hopper Opening (F x G) | 660 mm x 660 mm (26 in x 26 in) |
| Hopper Height (H) | 483 mm (19 in) |
| Stand Height (I) | 1,219 mm (48 in) |

Electrical controls including motor starters, PLC, and operator interface are supplied in NEMA 4 enclosures.

MANUFACTURER'S NOTE: Illustrations, specifications and descriptions presented reflect standard product at time of publication and are subject to change without notice. Dimensions are approximate. Photographs may include optional equipment.. Please, consult with your distributor.



STANDARD CUTTER PROFILES



Please, contact us if you need more information or a detailed quote.